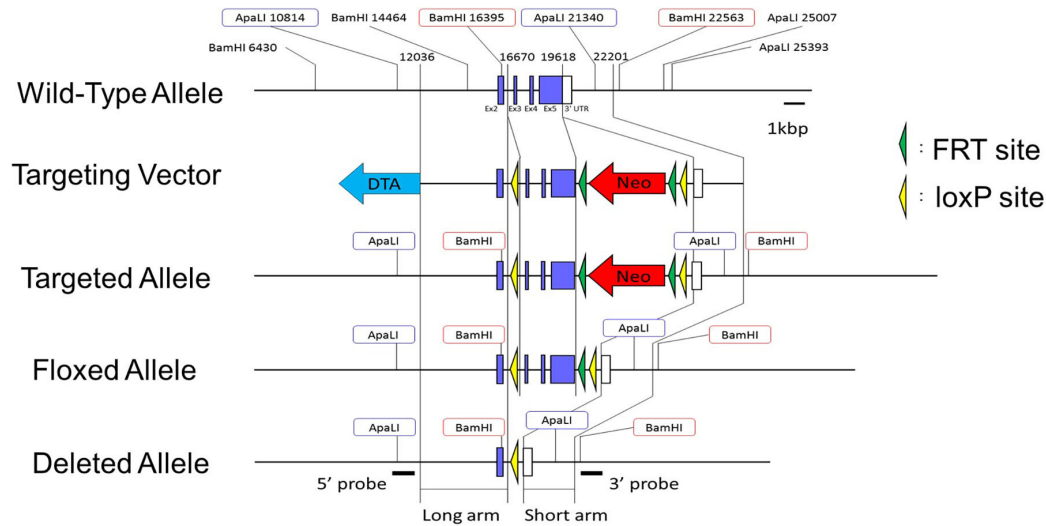
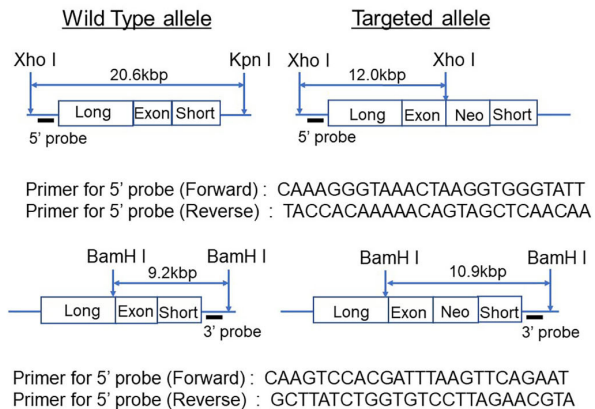


A Targeting Vector for conditional KO (Nfe2l2) mouse



B



C



D

